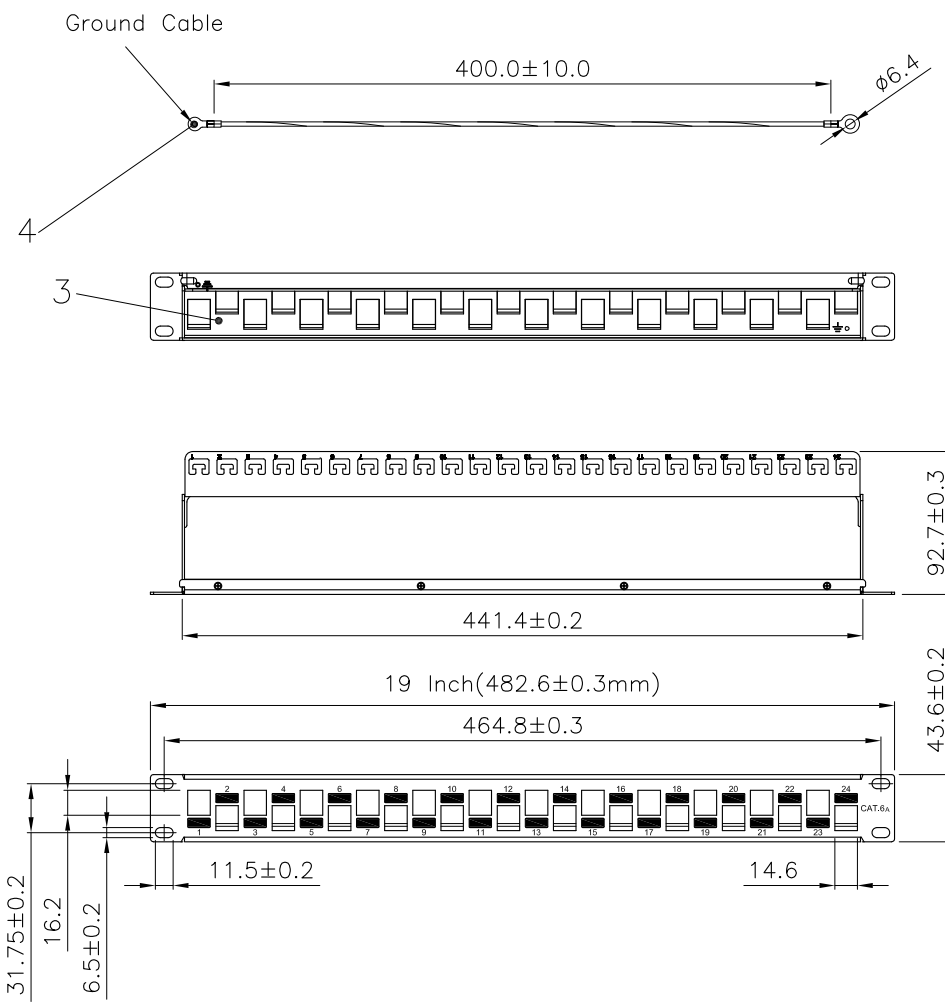


SCALE 1/5

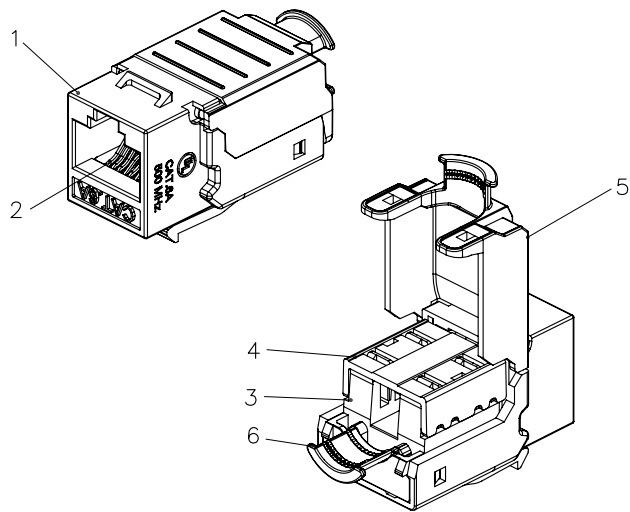


Specification :

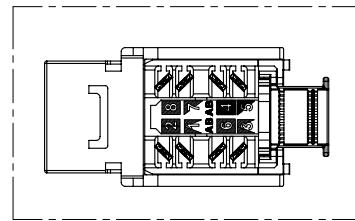
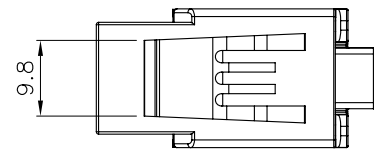
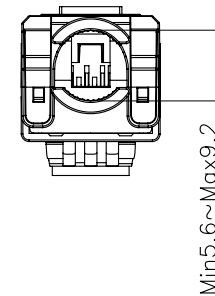
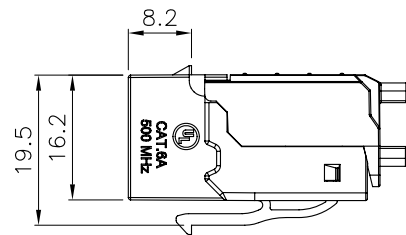
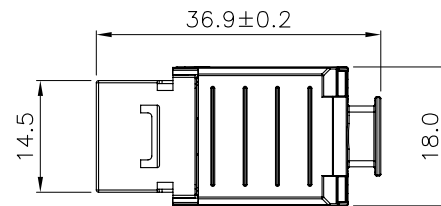
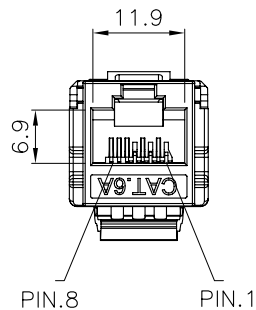
Material :

1. Support Bar : SPCC, 1.5mm thickness with Black (RAL 9005) color painted.
2. Top Case : SPCC, 1.5mm thickness with Black (RAL 9005) color painted.
3. Base Case : SPCC, 1.5mm thickness 5~8um nickel plate.
4. Ground Cable : 18 AWG Wire, with Green/Yellow striped color, length 40 cm.

GENERAL TOLERANCE OF DIMENSIONS X.XXX ±0.005 X.XX ±0.05 X.X ±0.1	DRAWING	11.NOV.2010	XIEYUE	<h1>KUWES</h1>
	CHECK	11.NOV.2010	DAY	
	APPROVAL	11.NOV.2010	JAIMY	
	DATE		NAME	
SCALE	1/5(A4)	UNIT	mm	DES.: 24 PROT FS KEYSTONE PANEL
		DRAWING NO.		
		DRAWING CLASSIFICATION		



SCALE 1/1



Specification :

Material :

1. RJ45 Jack :
  - 1-1. Housing : ABS+PC, UL 94-V0, with optional color.
  - 1-2. Contact Bracket : PBT+Glass Fiber, UL 94V-0.
2. RJ45 Jack Contact :
  - 2-1. Material : Phosphor Bronze with Nickel plated.
  - 2-2. Finish : 50 micro-inch Gold plated on Plug contact area.
3. IDC :
  - 3-1. Housing : PC+Glass Fiber, Grey color(RAL7035), UL 94V-2.
  - 3-2. Terminal : Phosphor Bronze with Tin plated.
4. IDC Cap : PC+Glass Fiber, UL 94-V2, White color.
5. Cap A : ABS+PC, UL 94-V0, Black color.
6. Plastic Slide: PC+Glass Fiber, Black color.
7. PCB : FR4, UL 94V-0.

Performance :

- a. T568A & T568B wiring.
- b. Insertion Force : 20N max. (IEC 60603-7-4)
- c. Retention Strength : 7.7 kg between Jack and Plug.
- d. Operating Temperature : -10°C to 60°C. (ISO/IEC 11801, ANSI/TIA 568 C.2).
- e. Life(mating cycles) :
  - e-1. Jack : 750 cycles min. (ISO/IEC 11801, IEC 60603-7-4)
  - e-2. IDC : Suitable for 23-26 AWG stranded and solid wire, compatible with 110 punch down tool.
  - e-3. Tool-less : When using the IDC for wire management.
- f. The Cat.6A transmission performance is in compliance with the ANSI/TIA 568 C.2 standard.

GENERAL TOLERANCE OF DIMENSIONS X.XXX ±0.005 X.XX ±0.05 X.X ±0.1	DRAWING	19.MAR.2013	QIQI	<b>KUWES</b>
	CHECK	19.MAR.2013	JANE	
	APPROVAL	19.MAR.2013	JAIMY	
	DATE	NAME	ITEM NO.: KSNT-24ABL-C6A	
SCALE	1/1 (A4)	UNIT	mm	DES.: CAT.6A UNSHIELDED KEYSTONE JACK
DRAWING NO.		DRAWING CLASSIFICATION		
DRAWING CLASSIFICATION				
S		SHEET		1 OF 1
A1				