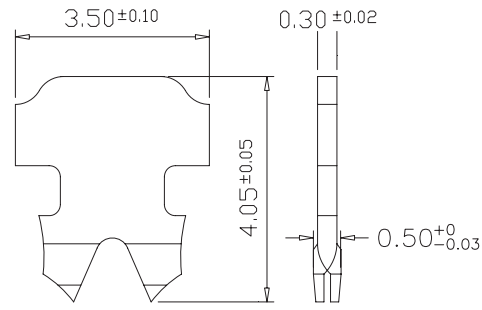
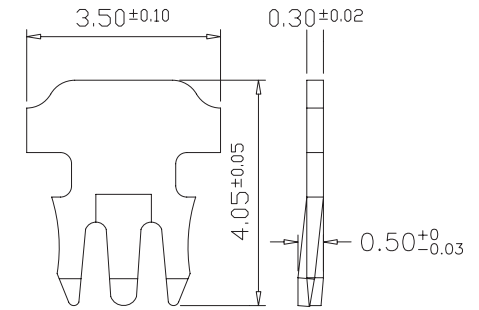


2 PRONGS FOR STRANDED WIRE



2 PRONGS FOR SOLID WIRE(SS)



3 PRONGS FOR SOLID WIRE(S)

Material & Brand (Logo) :

1. Brand (LOGO) : (KUWES No Brand)
2. Housing Material : (Polycarbonate(PC) UL 94V-0 UL 94V-2)
3. Contact Type : (2 prongs for STRANDED wire 2 prongs for SOLID wire 3 prongs for SOLID wire)
4. Gold Plating : (Fμ”(Flash) 3μ”(≥0.0762μm) 6μ”(≥0.1524μm) 15μ”(≥0.381μm) 30μ”(≥0.762μm) 50μ”(≥1.27μm))
5. Contact Material : (Bronze Phosphor Bronze)

UNIT: m/m

Remark:

1. Available for 24 or 26 AWG wire.

KUWES INDUSTRY CORPORATION

TITLE | 1060#106 6P4C U.S. PLUG 3U

APPROVE | PETER KUO | DESIGN | C.M.CHEN

DATE | 7-15-2011 | F. No. | J 121715613