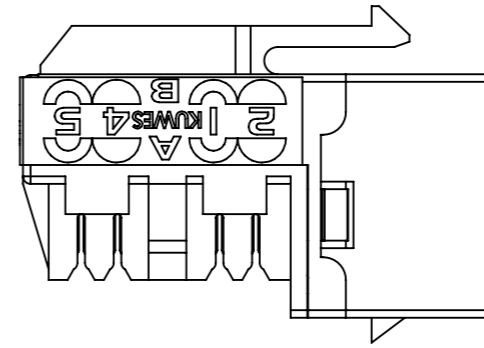
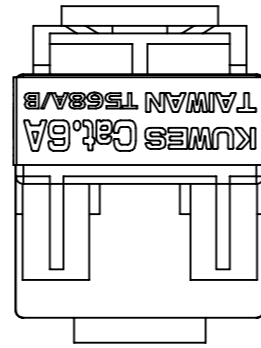
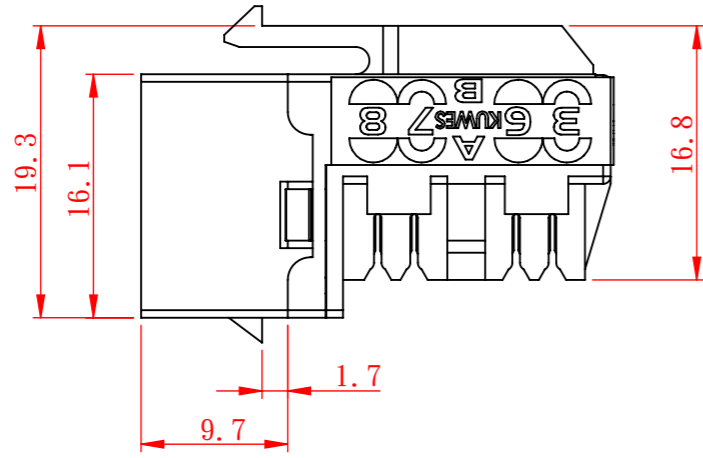
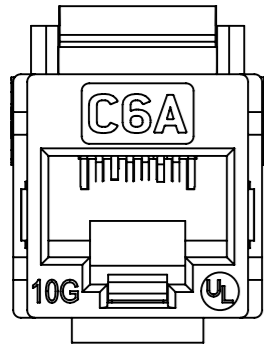
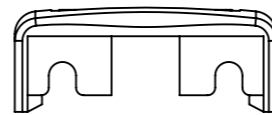
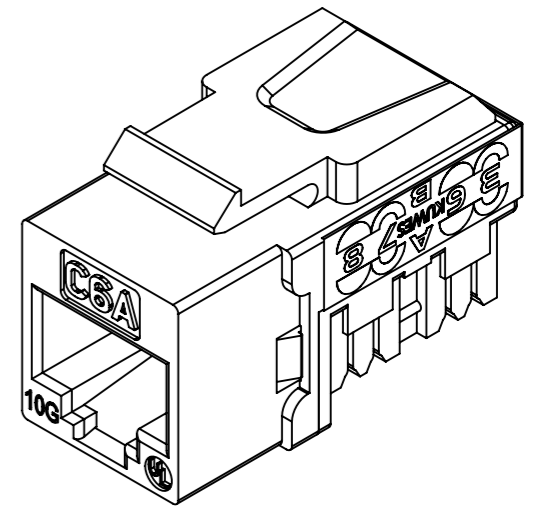
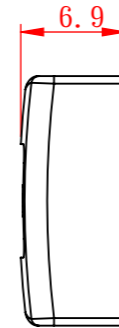
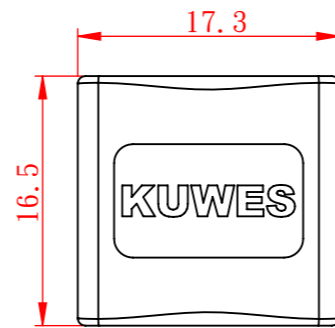
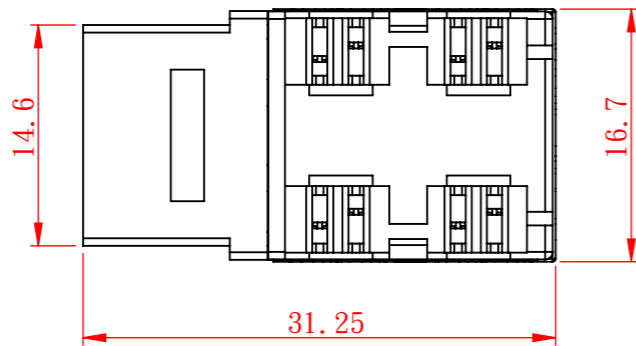
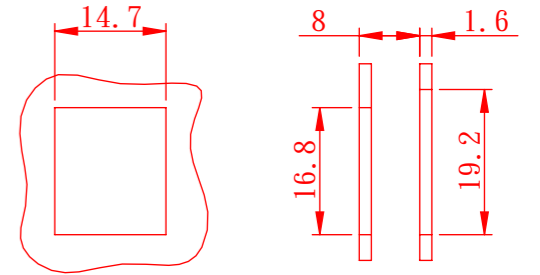


ACCORDING TO : ANSI/TIA-568-C.2
ISO/IEC 11801
IEC 60603-7

PRODUCTION



SUGGESTED MOUNTING CUTOUT



MATERIAL

KEYSTONE JACK HOUSING : ABS, UL94V-0.
CONTACT HOLDER : PC, UL94V-0.
JACK CONTACTS : PHOSPHOR BRONZE, 50U" GOLD PAINTING.
IDC PLASTIC : PC, UL94V-0.
IDC TERMINALS : PHOSPHOR BRONZE, TIN OVER NICKEL UNDERCOAT.

PHYSICAL CHARACTERISTICS

SUITABLE IMPACT TOOL : 110 STYLE PUNCH DOWN TOOL.
INSERTION LIFE : 750 MATING CYCLES WITH FCC COMPLIANT 8P PLUG.
CONTACT FORCE : 100 GRAMS WITH FCC COMPLIANT 8P PLUG.
PLUG RETENTION FORCE : 11 LBF MIN.
DURABILITY : 200 TERMINATION CYCLES.
CONTACT COMPATIBILITY : ACCOMMODATES 22 TO 24 AWG SOLID.
OPERATING TEMPERATURE RANGE : -10 °C TO 60 °C.
STORAGE TEMPERATURE RANGE : -40 °C TO 68 °C.
HUMIDITY : 10%-90%RH.

ELECTRICAL

INSULATION RESISTANCE : 500 MΩ.
DIELECTRIC WITHSTANDING VOLTAGE : 1000 V AC.
DC CURRENT RATING : 1.5 Amps.
DC RESISTANCE : 0.1Ω.
CONTACT RESISTANCE : 20mΩ.

NOTE

- WILL NOT SUPPORT CHANNEL SHORTER THAN 15M.
- ONLY ACCEPT RJ-45 8P8C PLUG.

Cat 6A

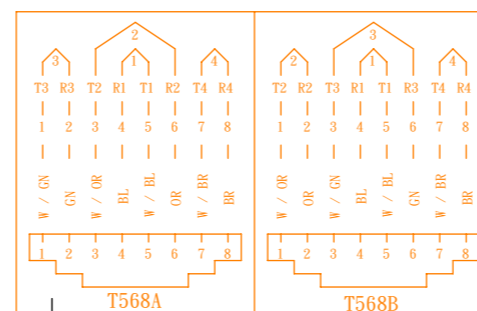


ETL Verified Channel to ANSI/TIA-568-B.2-10 Category 6A Tested for all transmission parameters also including PSANEXT and PSAACRF Measurements



COMMUNICATION
CIRCUIT ACCESSORIES

ENCLOSURE
IDC CAP XI PC



Scale	2:1	All Copy Rights Reserved	
3rd Angle Projection		KUWES INDUSTRY CORPORATION	
Unit	mm	AKL-28-2621-6AD	
Date	2017/11/14		
Tolerance			
-20	-50	-150	150~
±0.2	±0.4	±0.5	±1.5
ANGLE			
±2°			
Drawn by		Checked by	
Zeng			