

“ 3 ” : 3 PRONGS FOR STRANDED & SOLID WIRE(S)

LINER

Material & Brand (Logo) :

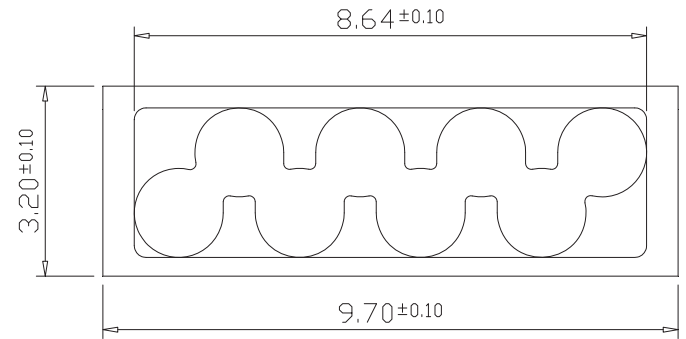
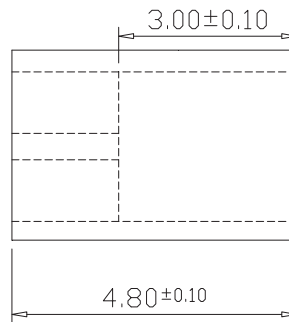
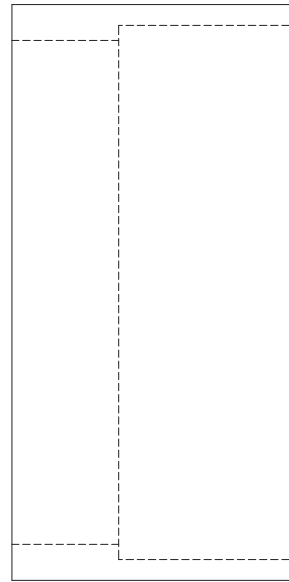
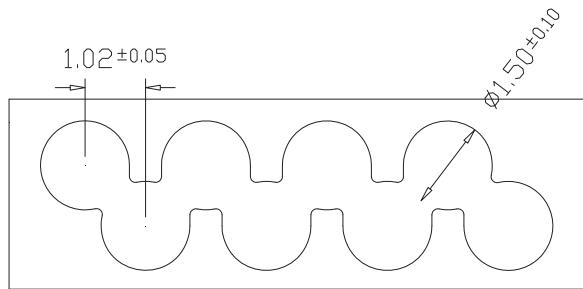
1. Brand (LOGO) : (KUWES No Brand Others _____)
2. Housing Material : (Polycarbonate(PC) UL 94V-0 UL 94V-2)
3. Contact Type : (3 prongs for STRANDED & SOLID wire)
4. Gold Plating : (Fμ”(Flash) 3μ”(≥0.0762μm) 6μ”(≥0.1524μm) 15μ”(≥0.381μm) 30μ”(≥0.762μm) 50μ”(≥1.27μm))
5. Contact Material : (Phosphor Bronze)
6. Shield Material : Brass with nickel plating

UNIT: m/m

Remark:

1. Available for 26 to 22 AWG wire.

KUWES INDUSTRY CORPORATION			
TITLE	KSNT-FJ456A-STP CAT.6A PLUG		
APPROVE	PETER KUO	DESIGN	C.M.CHEN
DATE	7-24-2014	F. No.	J 1 2 1 7 1 5 6 1 3



Material :

1. Material : (Polycarbonate(PC) UL 94V-0 UL 94V-2)

KUWES INDUSTRY CORPORATION			
TITLE	LINER FOR CAT.6A PLUG		
APPROVE	PETER KUO	DESIGN	C.M.CHEN
DATE	07-11-2014	F. No.	J121715613