

1

2

3

4

5

6

A

A

B

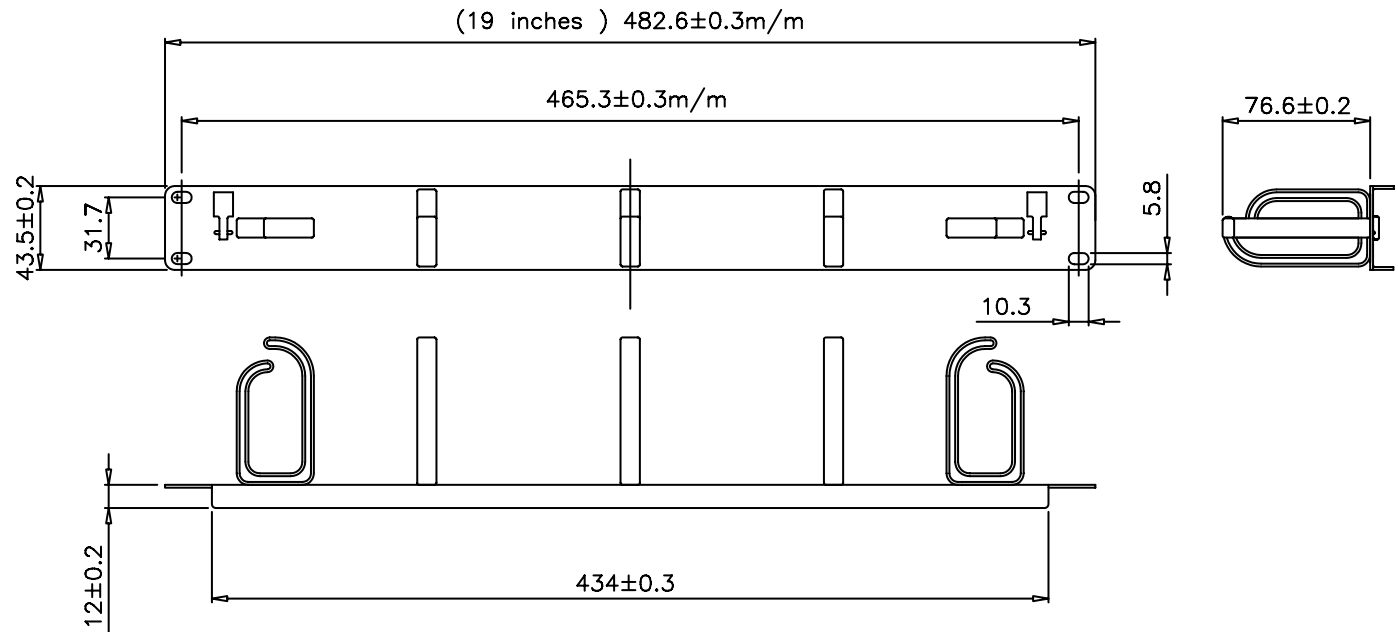
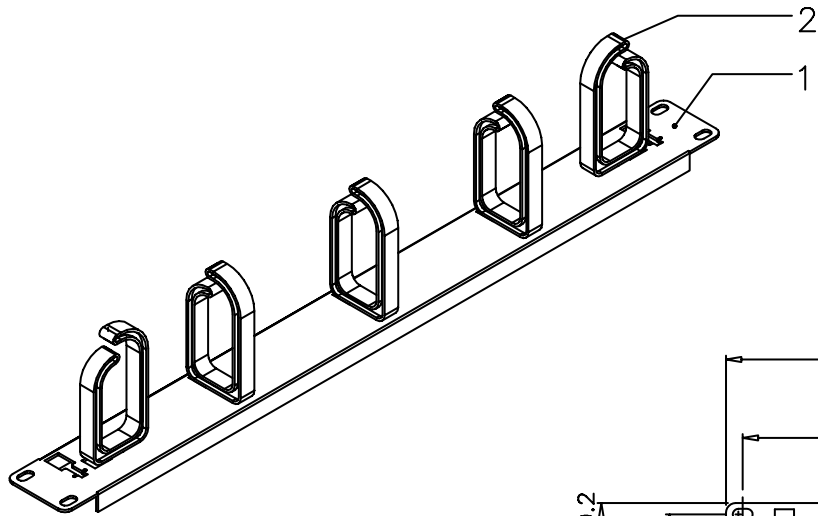
B

C

C

D

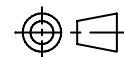
D



Specification :

- 1. Panel: SPCC, 1.5m/m thickness, black color painting.
- 2. Cable holder: ABS HB, black color.

GENERAL TOLERANCE OF DIMENSIONS X.XXX ± 0.005 X.XX ± 0.05 X.X ± 0.1	DRAWING	23.FEB.2004	Nick	KUWES	
	CHECK	24.FEB.2004	YTY		
	APPROVAL	24.FEB.2004	Magic		
		DATE	NAME	ITEM NO.: AKE311A-1U	
	SCALE	1/4 (A4)	UNIT	mm	DES.: 1 Unit Cable Management
	DRAWING NO.				
	DRAWING CLASSIFICATION		S	SHEET	1 OF 1



1

2

0

3

4

10cm

5

6

A1