

1

2

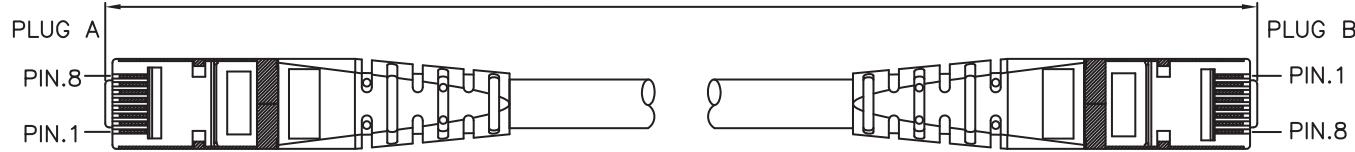
3

4

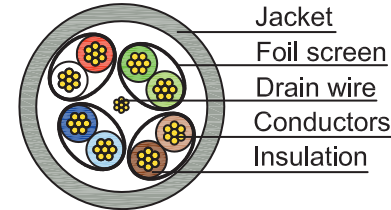
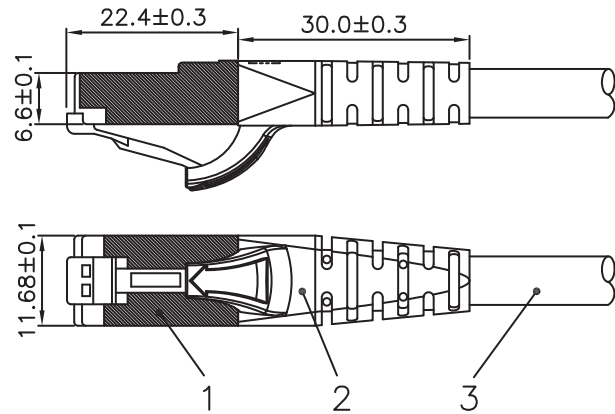
5

6

Length available: 0.3m to 20m



NO.	Length	Tolerance
1	0.3m-2.0m	+2cm/-1cm
2	2.1m-5.0m	+3cm/-2cm
3	5.1m-20.0m	+7cm/-3cm



Cross section

Printing on cable:

LSZH: U/FTP PATCH CABLE 26AWG 4PR LSZH ISO/IEC 11801 CLASS EA & EN50288 CAT.6A XXXXXXX-X  
 PVC: U/FTP PATCH CABLE 26AWG 4PR PVC ISO/IEC 11801 CLASS EA & EN50288 CAT.6A XXXXXXX-X  
 CM PVC: U/FTP PATCH CABLE 26AWG 4PR C(UL)US TYPE CM 75°C ISO/IEC 11801 CLASS EA  
 & EN50288 CAT.6A XXXXXXX-X

Specifications:

1. RJ45 plug:
  - 1-1. Housing: 1 layer, polycarbonate, UL94V-2, clear color.
  - 1-2. Load bar: 1 layer, OD 1.0mm, polycarbonate, UL94V-2, clear color.
  - 1-3. Contact pin: Phosphor bronze.
  - 1-4. Shield: Brass with nickel plating.
  - 1-5. Finished: Min. 50 micro-inches gold plating over 50 micro-inches nickel plating on contact area.
  - 1-6. Standard compliances: IEC60603-7 structure and dimensions.
2. Strain relief: Molded boot, PVC material.
3. Cable:
  - 3-1. C6A U/FTP 4 twisted pairs.
  - 3-2. Jacket OD: 5.9±0.2mm.
  - 3-3. Conductors: 26AWG stranded copper.
  - 3-4. Insulation: Skin-foam-skin PE.
  - 3-5. Shield: Aluminum/PET on each pair.
  - 3-6. Drain wire: Tin plated copper covered steel wire, 26AWG stranded.
  - 3-7. Standard compliances:
    - a. C6A performance: ANSI/TIA-568.2-D, IEC61156-6.
    - b. Fire retardant: UL CM PVC: UL444, LSZH: IEC60332-1-2 or IEC60332-3-24.
4. Patch cord:
  - 4-1. ANSI/TIA-568.2-D C6A channel performance.
  - 4-2. ISO/IEC11801-1 class EA performance.
  - 4-3. IEC61935-2 patch cord reliability.
  - 4-4. Length available: 0.3m to 20m.

T568B wiring scheme

PLUG A		PLUG B	
DRAIN WIRE 9	9	DRAIN WIRE 9	9
BROWN 8	8	BROWN 8	8
WHITE BROWN 7	7	WHITE BROWN 7	7
GREEN 6	6	GREEN 6	6
WHITE BLUE 5	5	WHITE BLUE 5	5
BLUE 4	4	BLUE 4	4
WHITE GREEN 3	3	WHITE GREEN 3	3
ORANGE 2	2	ORANGE 2	2
WHITE ORANGE 1	1	WHITE ORANGE 1	1

GENERAL TOLERANCE OF DIMENSIONS X.XXX ±0.1 X.XX ±0.2 X.X ±0.3	DRAWING	29.NOV.2022	ZWT	<b>KUWES</b>	
	CHECK	29.NOV.2022	CMD		
	APPROVAL	29.NOV.2022	YUAN		
	DATE		NAME		ITEM NO.: KCP6AUFXX-XX
SCALE		1/1 (A4)	UNIT	mm	DES.: C6A U-FTP 26AWG Molded Patch Cord
HSF Spec.	DRAWING NO.		C6A U-FTP 26AWG Molded Patch Cord		B2
RoHS	DRAWING CLASSIFICATION		S	SHEET	

1

2

0

3

4

10cm

5

6