



HDMI 200M Extender over IP is based on TCP/IP standard. It transmits your HD display with the high resolution up to 200 meters away from your DVD or computer source by using one CAT5e/6 cable.

At the same time, it's convenient to transmit HDMI audio and video source by point-to-point mode, one point-to-many mode and cascade connection mode .



Features

- * Support point-to-point mode, one point-to-multi point mode and cascade connection mode.
- * 802.3 Ethernet standard.
- * Support IR remote control
- * Support USB mouse and keyboard extension.
- * The design of pure hardware, plug and play, no need for additional software.

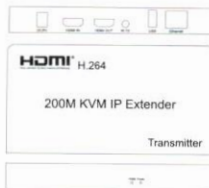
Specifications

Resolutions..... 480p,720p,1080p
 Audio..... Sample rate:32kHz,44.1kHz and 48kHz code
 IR remote control..... 38 KHz (NEC)
 Power adapter..... DC:5V/1A

The Max Power consumption..... HDMI sender:2.5W HDMI receiver:2W
 Size(L-W-H)..... 163*87*24mm
 Weight..... 474g x 2
 Operating Temperature/Humidity..... 0 C -45 C /10%-80%RH(no condensation)
 Storage Temperature/Humidity..... -10 C -70 C /5%-90%RH(no condensation)

Physical interface diagram

HDMI Transmitter



Port	Description
DC/5V	5V power supply for the Transmitter
HDMI - IN	HDMI input ,connect HDMI signal source
HDMI - OUT	HDMI output, connect HDMI display device
IR-TX	Connect IR transmitter
USB	USB output, connect computer
Ethernet	Network interface by cat5e/6

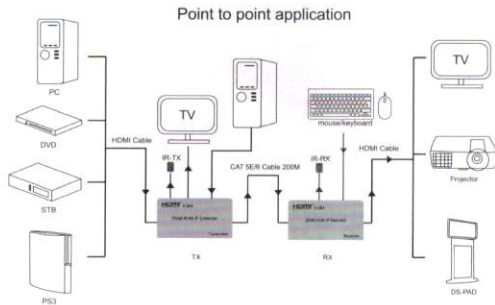
HDMI Receiver:



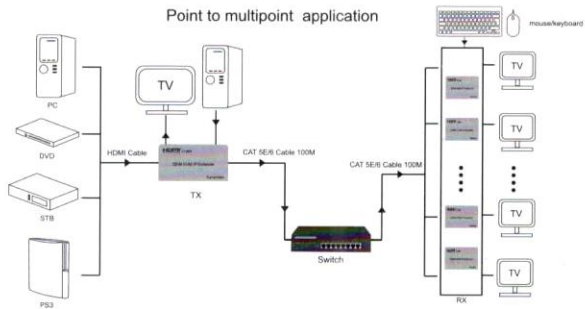
Port	Description
DC/5V	5V power supply for the receiver
HDMI -OUT	HDMI output, connect HDMI signal device
IR-RX	Connect IR receiver
USB1-2	USB input,mouse/keyboard input
Ethernet	Network interface by cat5e/6

Application diagrams

Application 1:



Application 2:



Application diagrams

HDMI 200M extender over IP is used in audio-visual conference, command and control center, ticketing platform, home theater, multi-media teaching, conference system and so on.



audio-visual conference



command and control center



home theater

Connection and operation

- 1) Connect the HDMI source (such as DVD, PS3, STB) to the "HDMI IN" of transmitter by HDMI cable.
- 2) Connect the "HDMI out" of Receiver to HDTV display by HDMI cable.
- 3) Connect the Transmitter and Receiver with one cat5e/6 cable (recommend).the furthest distance is 200M.
- 4) Connect the "IR receiver "into "IR-RX" port on receiver, and "IR transmitter " into the "IR-TX" on transmitter, and make sure the IR transmitter aim at IR port of the source.
- 5) Plug the mouse and keyboard into the USB port of the receiver, and connect the USB port of the transmitter with the computer if you need the KVM control function.
- 6) Connect two pieces of 5V power supply to the transmitter and receiver, and power on the HDTV display and HDMI source.

The Package contents :

- | | |
|------------------------|-------|
| 1. Transmitter | 1PCS |
| 2. Receiver | 1PCS |
| 3. 5V/1A Power adapter | 2PCS |
| 4. IR cable | 1Pair |
| 5. User's Manual | 1PCS |